

CURRENT OWNER		TOPO	UTILITIES	STRT / ROAD	LOCATION	CURRENT ASSESSMENT				801 FY2024 BARNSTABLE, MA VISION	
MOORE, ERIN O 10 CAPSTAN WAY CENTERVILLE MA 02632		1 Level	2 Public Water	1 Paved		Description	Code	Assessed	Assessed		
			4 Gas			RESIDNTL	1010	435,500	435,500		
			6 Septic			RES LAND	1010	151,900	151,900		
SUPPLEMENTAL DATA						Total				587,400	587,400
Alt Prcl ID		Split Zonin		Plan Ref. 236/127							
BID Parcel		ResExpt Q		Land Ct#							
#DL 1 LOT 58		#DL 2		Life Estate							
GIS ID F_968552_2707285		Assoc Pid#									

RECORD OF OWNERSHIP		BK-VOL/PAGE	SALE DATE	Q/U	V/I	SALE PRIC	VC	PREVIOUS ASSESSMENTS (HISTORY)								
MOORE, ERIN O		13043 0052	05-31-2000	Q	I	245,200	00	Year	Code	Assessed	Year	Code	Assessed	Year	Code	Assessed
MCPADDEN, MABEL S TR		7696 0003	09-15-1991	U	I	1	A	2023	1010	374,500	2022	1010	327,000	2021	1010	265,300
MCPADDEN, MABEL S		1823 0342	03-19-1973	U		0			1010	138,100		1010	102,300		1010	102,300
								Total		512,600	Total		429,300	Total		370,800

EXEMPTIONS			OTHER ASSESSMENTS				This signature acknowledges a visit by a Data Collector or Assessor									
Year	Code	Description	Amount	Code	Description	Number	Amount	Comm Int								
Total			0.00													

ASSESSING NEIGHBORHOOD				APPRAISED VALUE SUMMARY			
Nbhd	Nbhd Name	B	Tracing	Batch			
0105			CENVIL				

NOTES										APPRAISED VALUE SUMMARY						
										Appraised Bldg. Value (Card)				383,700		
										Appraised Xf (B) Value (Bldg)				48,600		
										Appraised Ob (B) Value (Bldg)				3,200		
										Appraised Land Value (Bldg)				151,900		
										Special Land Value				0		
										Total Appraised Parcel Value				587,400		
										Valuation Method				C		
										Total Appraised Parcel Value				587,400		

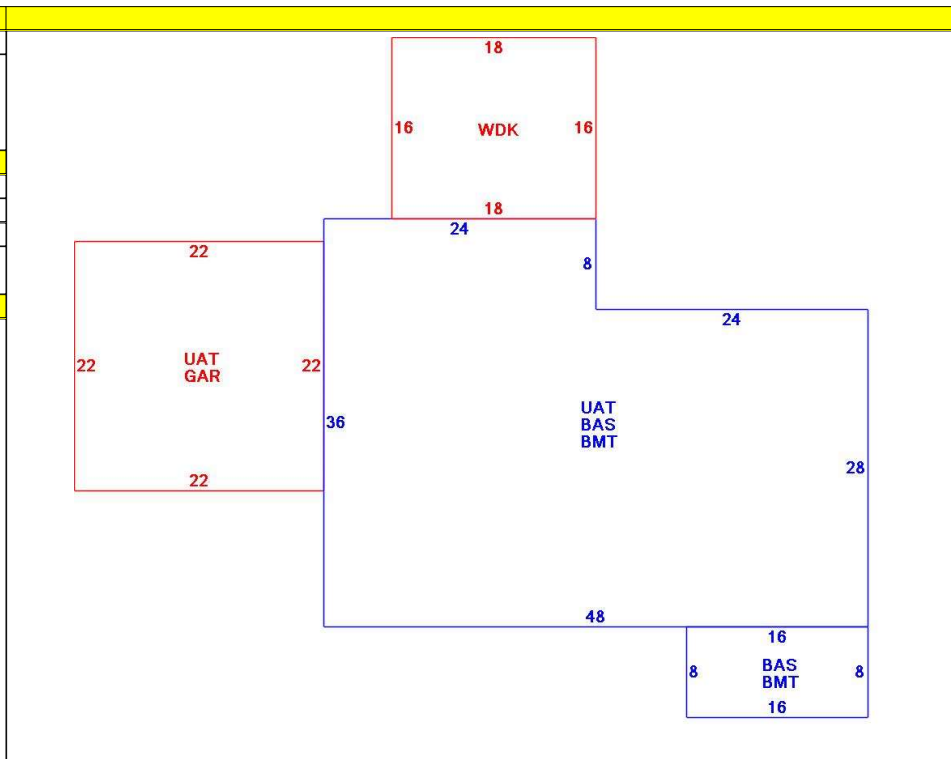
BUILDING PERMIT RECORD									VISIT / CHANGE HISTORY					
Permit Id	Issue Date	Type	Description	Amount	Insp Date	% Comp	Date Comp	Comments	Date	Id	Type	Is	Cd	Purpost/Result
201407972	11-13-2014	NS	New Siding	15,000	06-30-2015	100	06-30-2016	RE-SIDE AND REPLACEMEN	04-17-2020	LS			FR	Field Review
									03-21-2018	KM	02		03	Cycl Insp Comp
									06-29-2010	TP	03		16	In Office Review
									01-30-2009	PT	02		14	Cyclical Inspection
									01-25-2000	PT	01		00	Meas/Listed-Interior Acces
									10-15-1989	ML	01		00	Meas/Listed-Interior Acces

LAND LINE VALUATION SECTION																
B	Use Code	Description	Zone	LA	Land Units	Unit Price	Size Adj	AC Disc	Site Index	Cond.	Nbhd.	Nbhd. Adj	Notes	Location Adjustmen	Adj Unit P	Land Value
1	1010	Single Fam M-0	RC	3	0.340 AC	176,344.00	2.53383	1.0000	5	1.00	0105	1.000		1.0000	446,820.4	151,900
Total Card Land Units					0.34	AC	Parcel Total Land Area					0.34	Total Land Value			151,900

CONSTRUCTION DETAIL			CONSTRUCTION DETAIL (CONTINUED)		
Element	Cd	Description	Element	Cd	Description
Style	01	Ranch			
Model	01	Residential			
Grade:	C	Average			
Stories	1.15	1 Story w/FAT			
Exterior Wall 1	14	Wood Shingle			
Exterior Wall 2					
RooF Structure	03	Gable/Hip			
RooF Cover	03	Asph/F Gls/Cmp			
Interior Wall 1	05	Drywall			
Interior Wall 2					
Interior Floor 1	12	Hardwood			
Interior Floor 2					
Heat Fuel	03	Gas			
Heat Type	05	Hot Water			
AC Type	01	None			
Bedrooms	02	2 Bedrooms			
Full Baths	2				
Half Baths	0				
Extra Fixtures					
Total Rooms	5	5 Rooms			
Bath Style					
Kitchen Style					
Occupancy					
Usrflid 105					
Accessory Apt					
Foundation Alt	01	Poured Conc.			
Rms Prts					
Bath Split	20	2 Full-0 Half			

CONDO DATA			
Parcel Id		C	Owne 0.0
		B	S
Adjust Type	Code	Description	Factor%
Condo Flr			
Condo Unit			

COST / MARKET VALUATION	
Building Value New	485,738
Year Built	1972
Effective Year Built	1992
Depreciation Code	A
Remodel Rating	
Year Remodeled	
Depreciation %	21
Functional Obsol	0
External Obsol	0
Trend Factor	1
Condition	
Condition %	
Percent Good	79
RCNLD	383,700
Dep % Ovr	
Dep Ovr Comment	
Misc Imp Ovr	
Misc Imp Ovr Comment	
Cost to Cure Ovr	
Cost to Cure Ovr Comment	



OB - OUTBUILDING & YARD ITEMS(L) / XF - BUILDING EXTRA FEATURES(B)										
Code	Description	L/B	Units	Unit Price	Yr Blt	Cond. Cd	% Gd	Grade	Grade Adj.	Appr. Value
FPL1	Fireplace 1 sto	B	1	5000.00	1994		79		0.00	4,000
WDC	Wood Decking	L	288	20.00	1996		54		0.00	3,200
GAR	Attached Gara	B	484	40.00	1994		79		0.00	14,300
BMT	Basement-Unfi	B	1,664	26.01	1994		79		0.00	30,300

BUILDING SUB-AREA SUMMARY SECTION						
Code	Description	Living Area	Floor Area	Eff Area	Unit Cost	Undeprec Value
BAS	First Floor	1,664	1,664	1,664	260.31	433,156
BMT	Basement Area	0	1,664	0	0.00	0
GAR	Attached Garage	0	484	0	0.00	0
UAT	Attic, Unfinished	0	2,020	202	26.03	52,583
WDK	Wood Deck	0	288	0	0.00	0
Ttl Gross Liv / Lease Area		1,664	6,120	1,866		485,739

