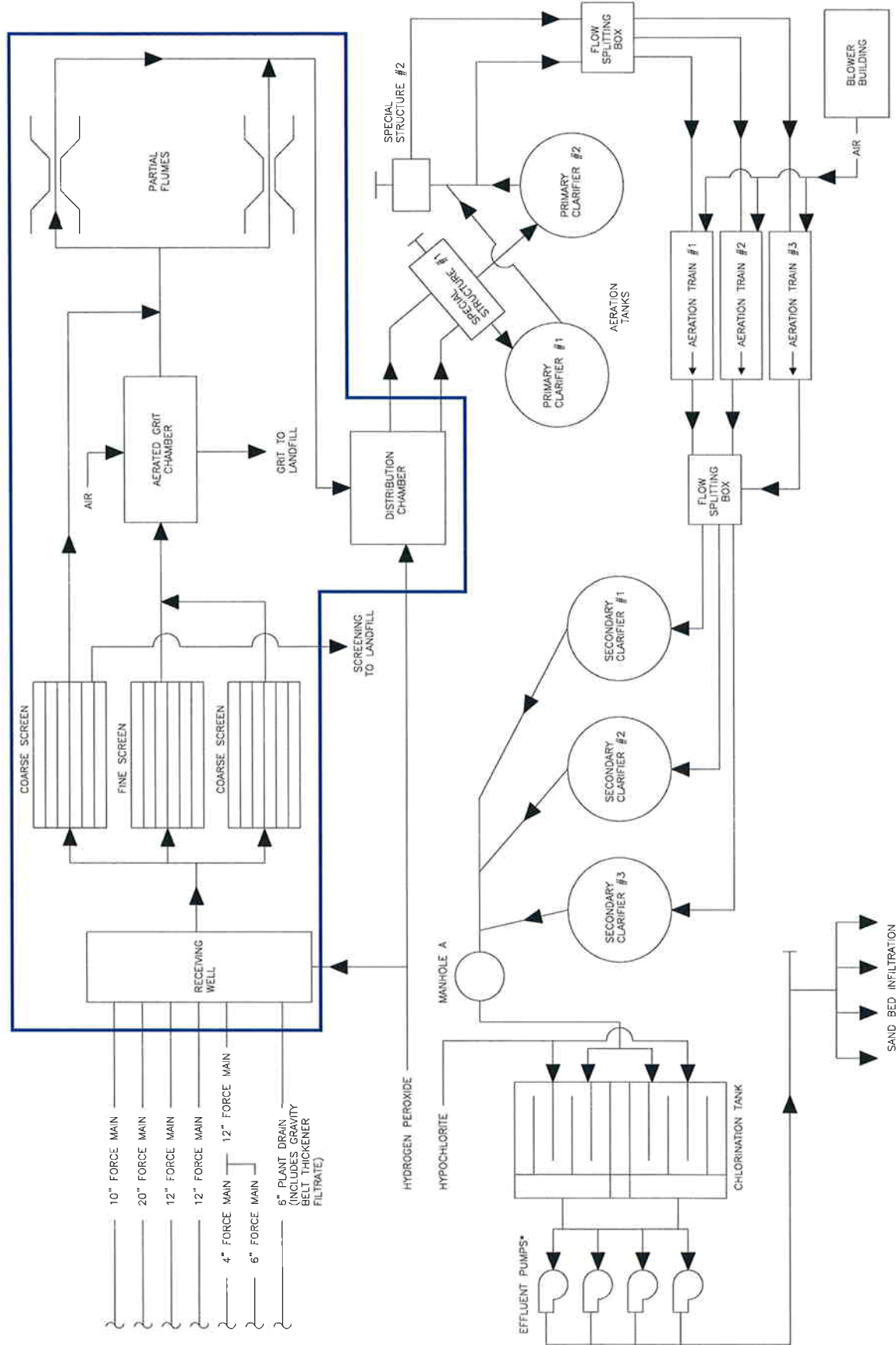


PRETREATMENT BUILDING



Town of Barnstable, Massachusetts
 Comprehensive Wastewater and
 Nutrient Management Plan
 Wastewater Flow Schematic
 for Hyannis WPCF
FIGURE 4-5

STEARNS & WHEELER^{LC}
 Environmental Engineers & Scientists
 HYANNIS, MASSACHUSETTS
 1545 Hyannisburgh Road
 Hyannis, MA 01901
 Tel: 508-922-9004
 Fax: 508-922-9004
 Web: stearnswh.com

Job No.: 861247400 Date: 02/04/2010